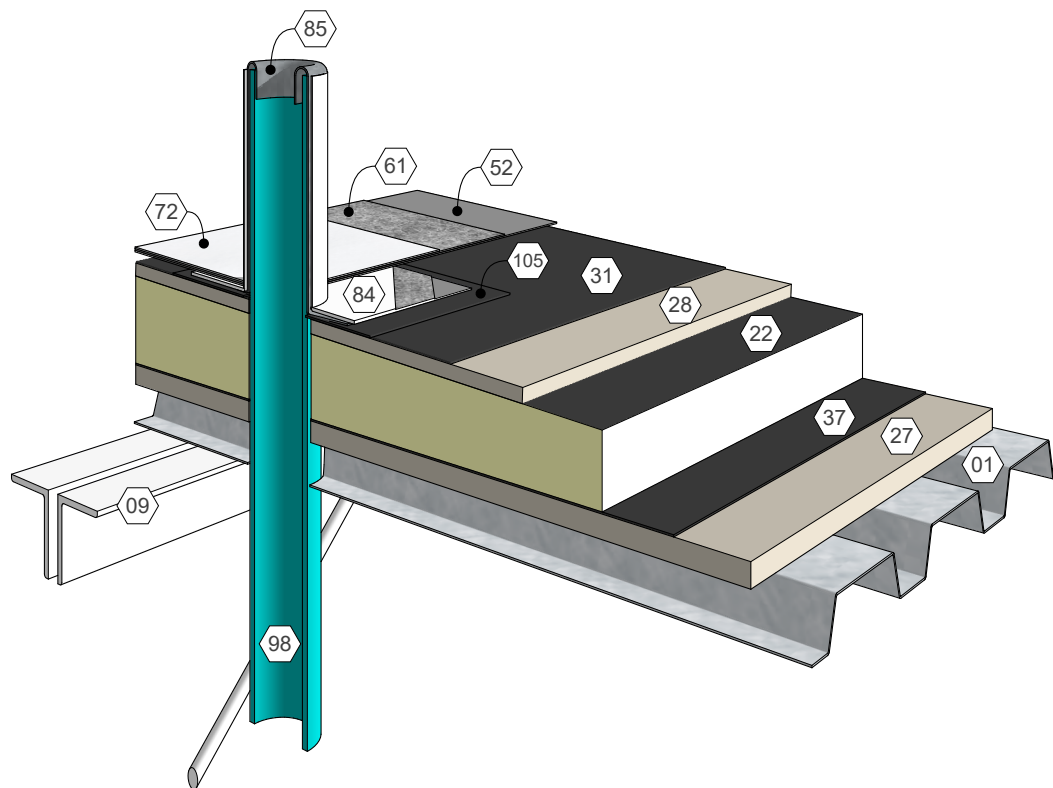
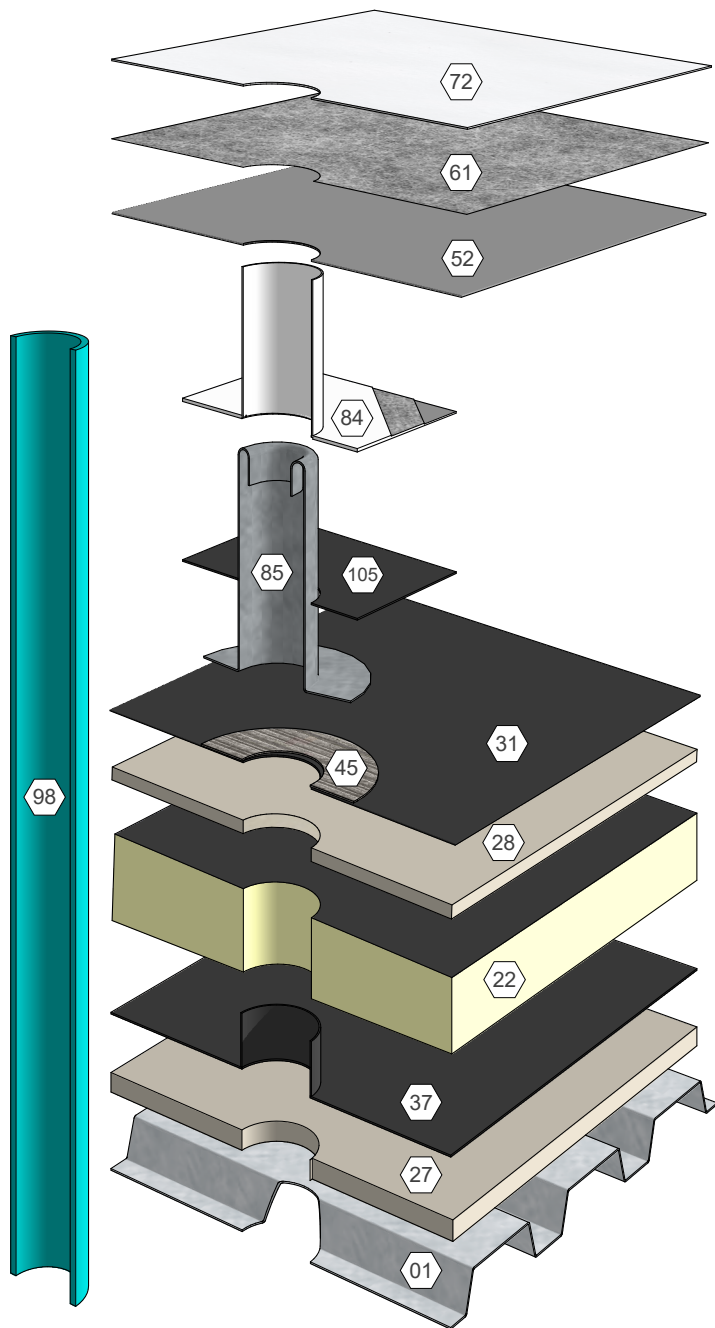


KEY NOTES

- | | | |
|---|--------------------------------------|-----------------------------|
| 01) Metal Deck | 31) Approved Base Ply Sheet | 72) AlphaGuard BIO Top Coat |
| 09) Roof Structure | 37) Approved Base Sheet (Adhered) | 84) AlphaGuard Flashing |
| 22) Polyisocyanurate Insulation (Fastened or Adhered) | 45) Roofing Mastic | 85) Lead Sleeve |
| 27) Substrate Board (Fastened) | 52) AlphaGuard BIO Base Coat | 98) Plumbing Vent |
| 28) Cover Board (Adhered) | 61) AlphaGuard Glass Mat or Permafab | 105) Target Patch |

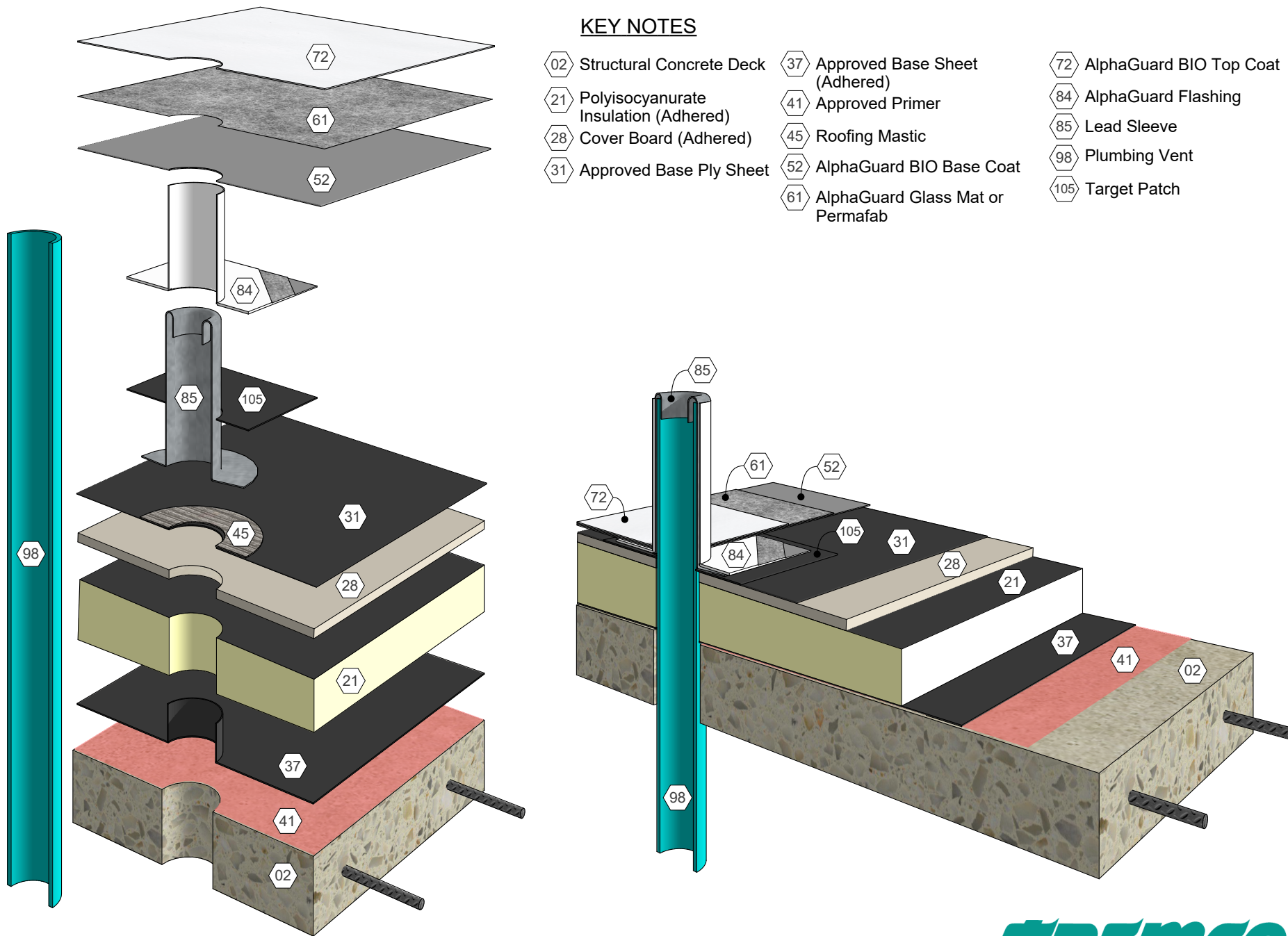


AlphaGuard® BIO Plus Plumbing Vent, Temp. Roof, Metal Deck
Detail 33181

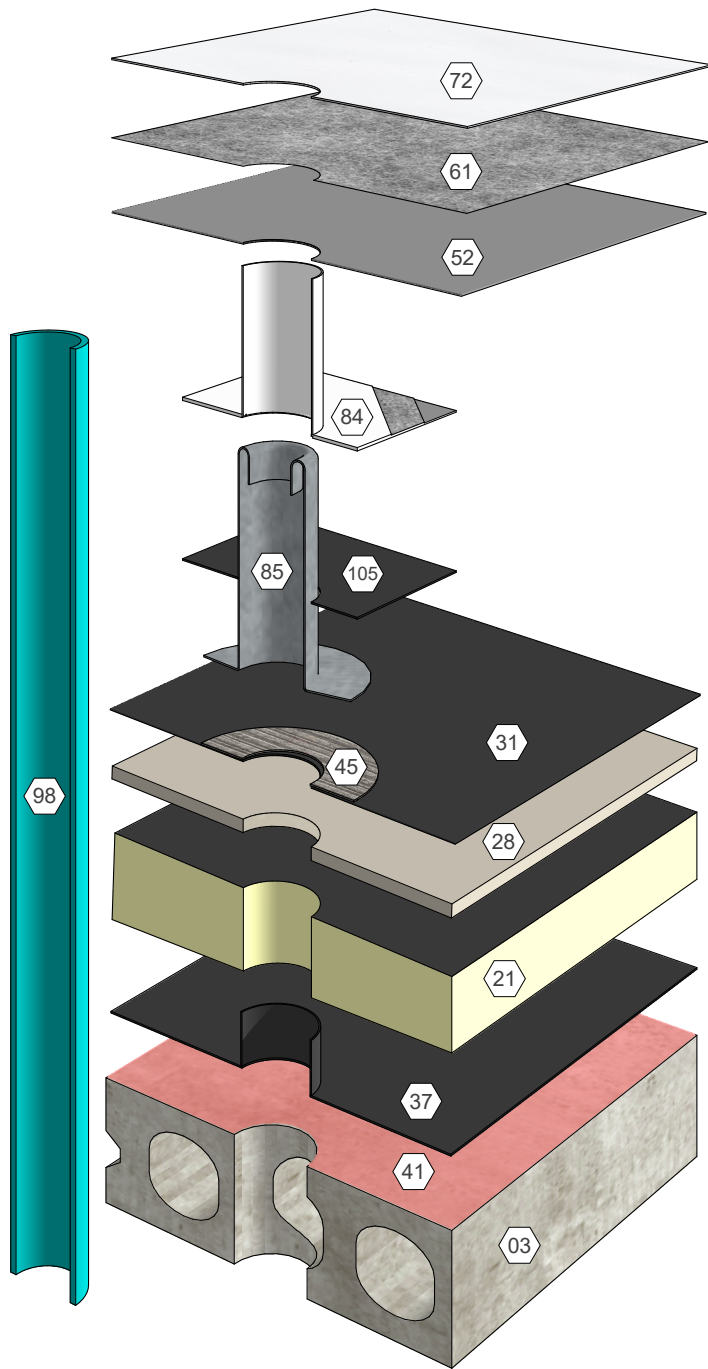
TREMCO
ROOFING & BUILDING MAINTENANCE

KEY NOTES

- | | | |
|--|-------------------------------------|----------------------------|
| 02 Structural Concrete Deck | 37 Approved Base Sheet (Adhered) | 72 AlphaGuard BIO Top Coat |
| 21 Polyisocyanurate Insulation (Adhered) | 41 Approved Primer | 84 AlphaGuard Flashing |
| 28 Cover Board (Adhered) | 45 Roofing Mastic | 85 Lead Sleeve |
| 31 Approved Base Ply Sheet | 52 AlphaGuard BIO Base Coat | 98 Plumbing Vent |
| | 61 AlphaGuard Glass Mat or Permafab | 105 Target Patch |

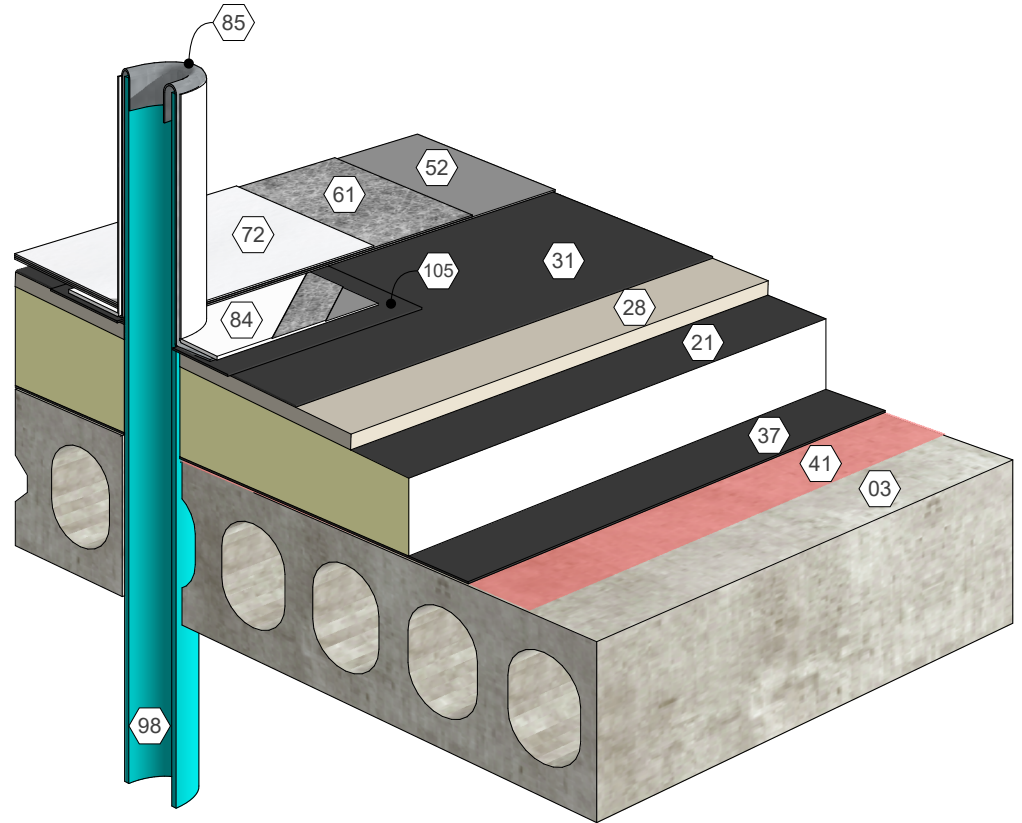


AlphaGuard® BIO Plus Plumbing Vent, Temp. Roof, Structural Concrete Deck
Detail 33182



KEY NOTES

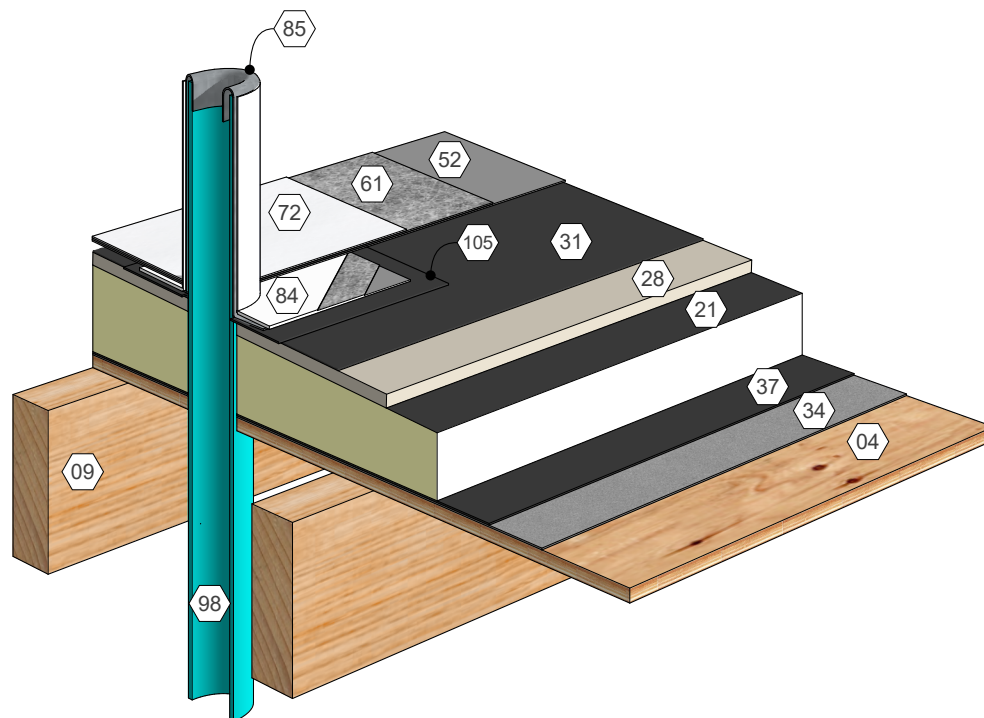
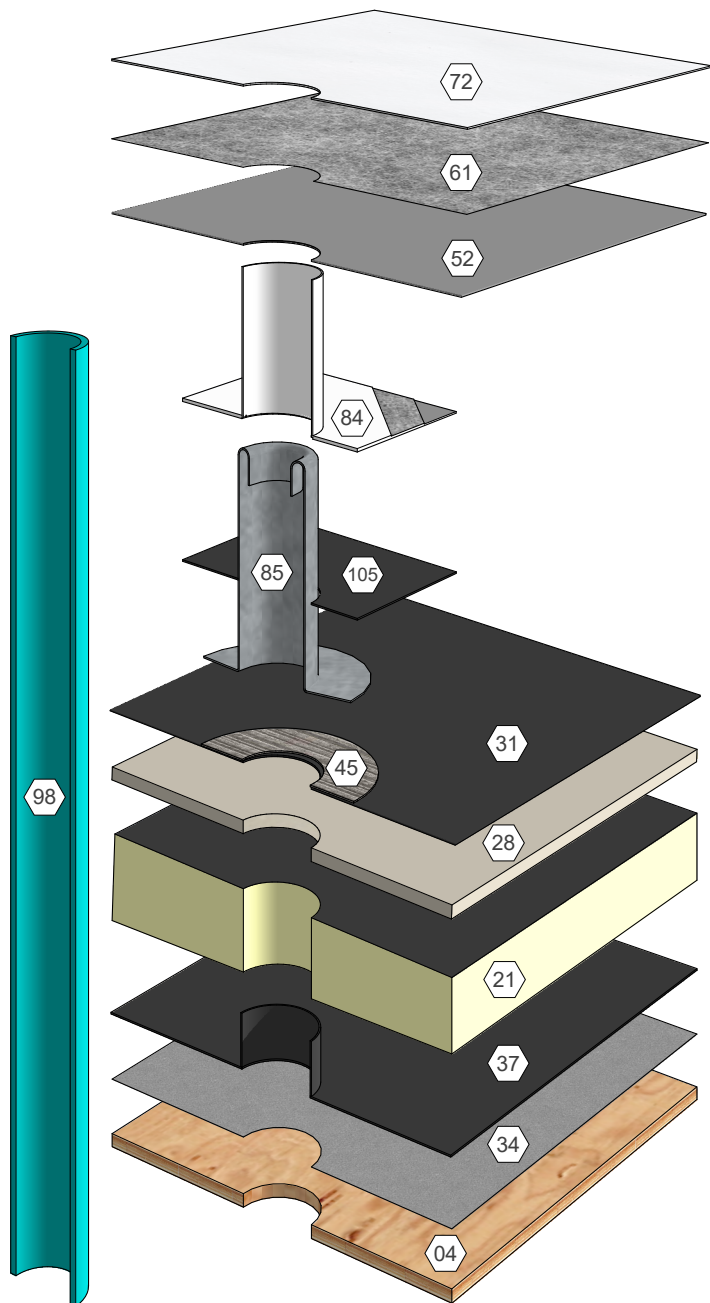
- | | | |
|---|--------------------------------------|-----------------------------|
| 03) Precast Concrete Deck | 37) Approved Base Sheet (Adhered) | 72) AlphaGuard BIO Top Coat |
| 21) Polyisocyanurate Insulation (Adhered) | 41) Approved Primer | 84) AlphaGuard Flashing |
| 28) Cover Board (Adhered) | 45) Roofing Mastic | 85) Lead Sleeve |
| 31) Approved Base Ply Sheet | 52) AlphaGuard BIO Base Coat | 98) Plumbing Vent |
| | 61) AlphaGuard Glass Mat or Permafab | 105) Target Patch |



AlphaGuard® BIO Plus Plumbing Vent, Temp Roof, Precast Concrete Deck
Detail 33183

KEY NOTES

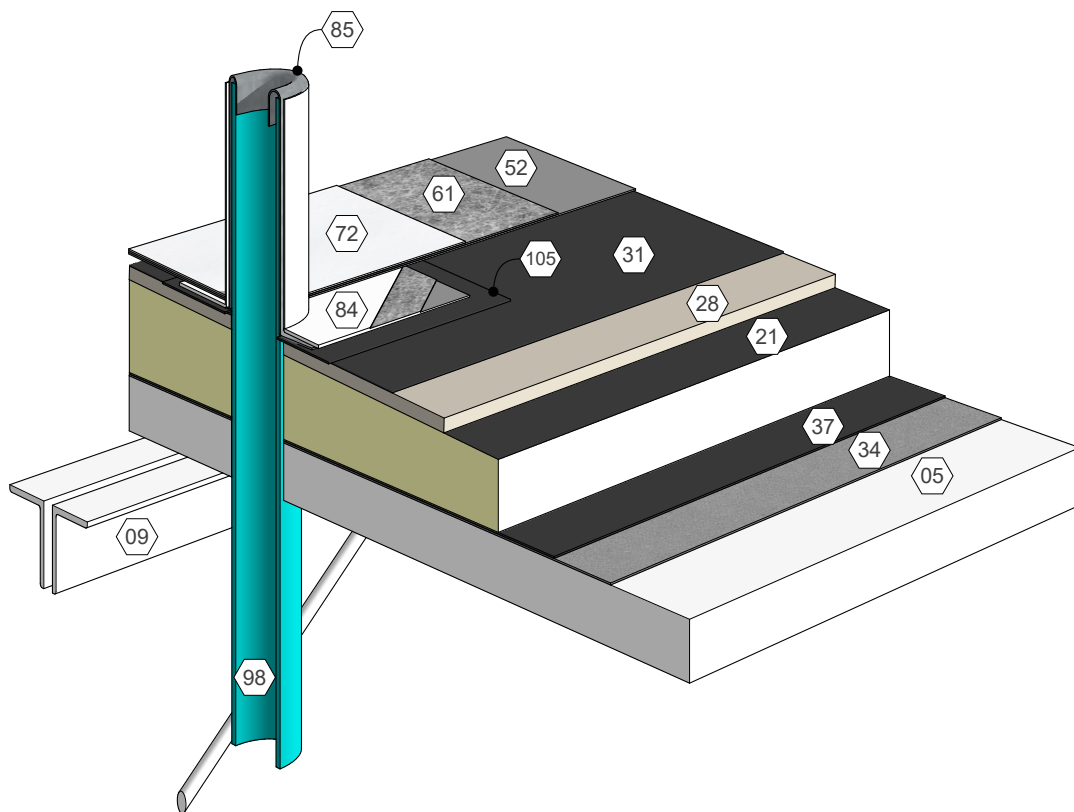
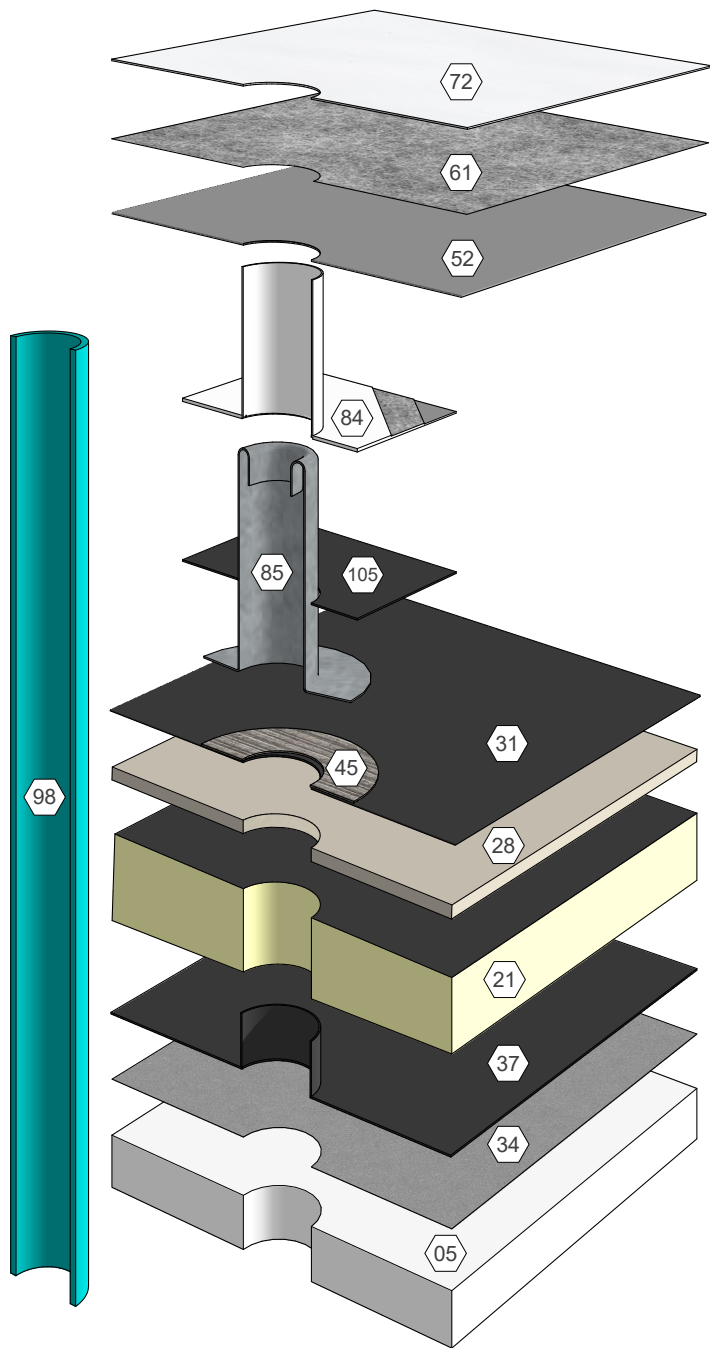
- | | | |
|---|--------------------------------------|-----------------------------|
| 04) Wood Deck | 34) Base Sheet (Fastened) | 72) AlphaGuard BIO Top Coat |
| 21) Polyisocyanurate Insulation (Adhered) | 37) Approved Base Sheet (Adhered) | 84) AlphaGuard Flashing |
| 28) Cover Board (Adhered) | 45) Roofing Mastic | 85) Lead Sleeve |
| 31) Approved Base Ply Sheet | 52) AlphaGuard BIO Base Coat | 98) Plumbing Vent |
| | 61) AlphaGuard Glass Mat or Permafab | 105) Target Patch |



AlphaGuard® BIO Plus Plumbing Vent, Temp. Roof, Wood Deck
Detail 33184

KEY NOTES

- | | | |
|--|-------------------------------------|----------------------------|
| 05 Gypsum Deck | 31 Approved Base Ply Sheet | 72 AlphaGuard BIO Top Coat |
| 09 Roof Structure | 34 Base Sheet (Fastened) | 84 AlphaGuard Flashing |
| 21 Polyisocyanurate Insulation (Adhered) | 37 Approved Base Sheet (Adhered) | 85 Lead Sleeve |
| 27 Substrate Board (Fastened) | 45 Roofing Mastic | 98 Plumbing Vent |
| 28 Cover Board (Adhered) | 52 AlphaGuard BIO Base Coat | 105 Target Patch |
| | 61 AlphaGuard Glass Mat or Permafab | |



AlphaGuard® BIO Plus Plumbing Vent, Temp. Roof, Gypsum Deck
Detail 33185